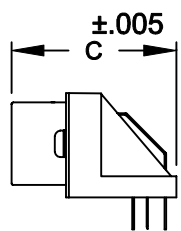
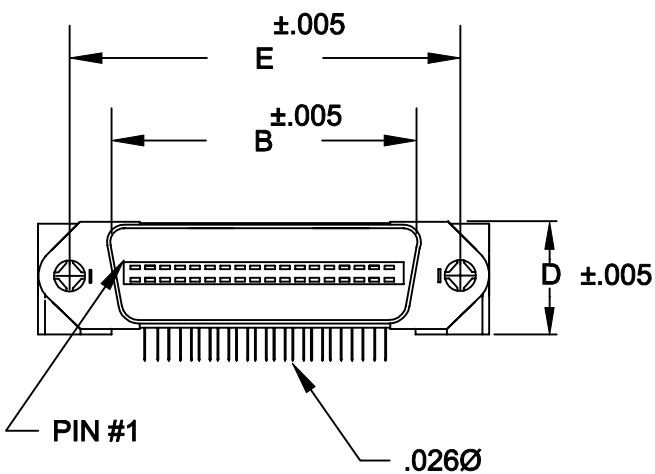
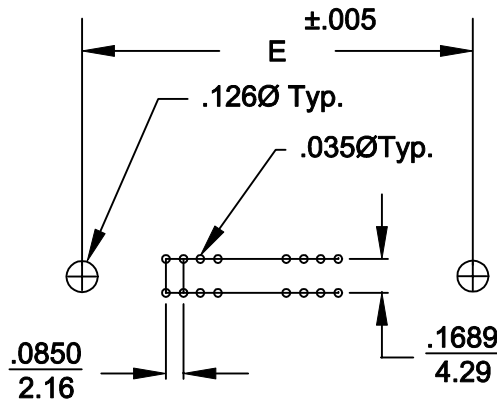
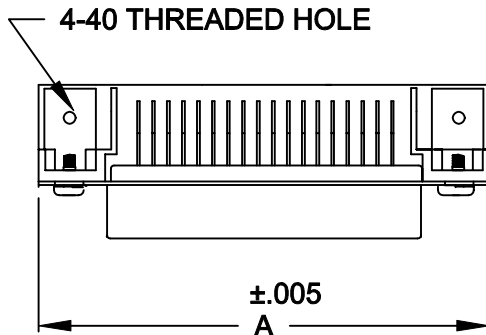


DESCRIPTION: .085" RIBBON R/A BOARD MOUNT



	A	B	C	D	E
14	1.720	1.008	.984	.618	1.417
	43.70	25.60	25.00	15.70	35.99
24	2.146	1.436	.984	.618	1.843
	54.50	36.47	25.00	15.70	46.79
36	2.662	1.943	.984	.618	2.352
	67.60	49.35	25.00	15.70	59.74
50	3.260	2.539	.984	.618	2.947
	82.80	64.47	25.00	15.70	74.85

112-XXX-113-001

SERIES _____

POSITIONS _____

014
024
036
050

GENDER _____

1 = MALE

TERMINATION _____

1 = DIP SOLDER

SHELL PLATING _____

3 = NICKEL

HARDWARE OPTIONS _____

00 = 4-40 THREAD (PCB)

PLATING OPTIONS _____

01 = GOLD FLASH

MATERIALS:

INSULATOR: GLASS-FILLED THERMOPLASTIC
UL RATED 94V-0

CONTACTS: COPPER ALLOY

ELECTRICALS:


CONTACT CURRENT RATING: 5 AMPS

DIELECTRIC WITHSTANDING VOLTAGE: AC 1200 R.M.S.

INSULATION RESISTANCE: 1000 mohms MINIMUM AT 500V DC

CONTACT RESISTANCE: 30 mOHMS MAXIMUM

OPERATING TEMPERATURE: -55°C TO +125°C

	THESE DRAWINGS AND SPECIFICATIONS ARE THE PROPERTY OF NorComp AND SHALL NOT BE REPRODUCED, COPIED OR USED AS THE BASIS FOR THE MANUFACTURE OF SALE OF APPARATUS WITHOUT WRITTEN PERMISSION.	DRAWN: WAYNE ROBBINS	DATE: 9-21-98
	NorComp	CHECKED:	DATE:
		SHEET 1 OF 1	REV 4
		DWG NO. 112-XXX-113-001	